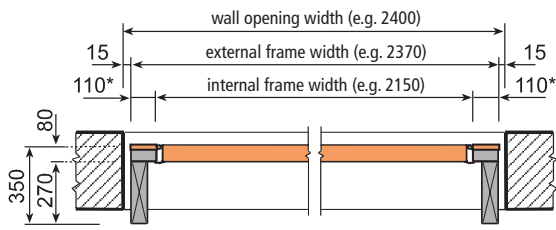


# INSTALLATION TYPES AND OVERALL SIZES - Garage door

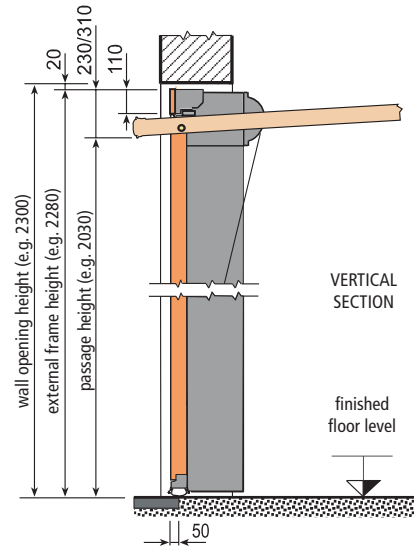
## Installation between brickwork



HORIZONTAL SECTION

\*: becomes 135 mm in the cases shown in the size tables

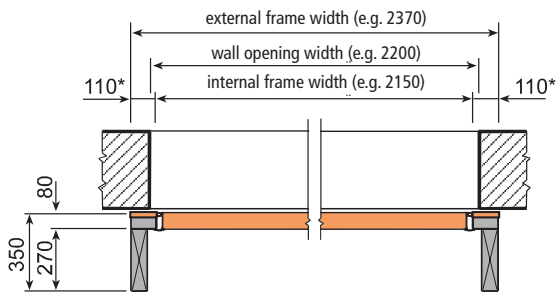
PASSAGE WIDTH = internal frame width - 50 mm



VERTICAL SECTION

finished floor level

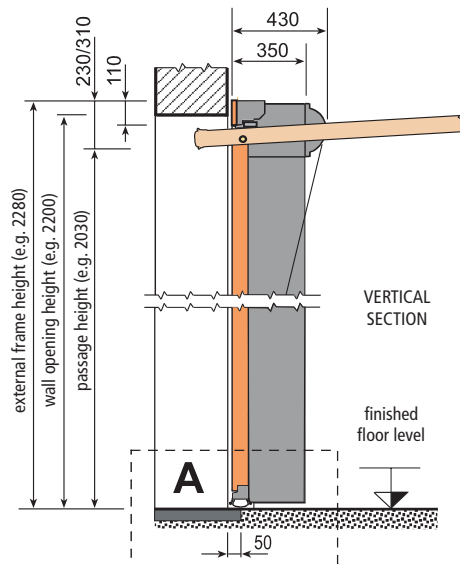
## Installation behind brickwork



HORIZONTAL SECTION

\*: becomes 135 mm in the cases shown in the size tables

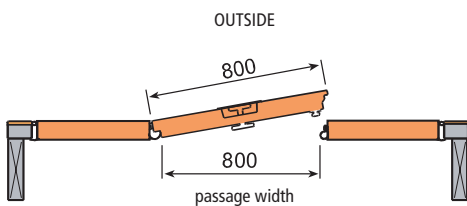
PASSAGE WIDTH = internal frame width - 50 mm



VERTICAL SECTION

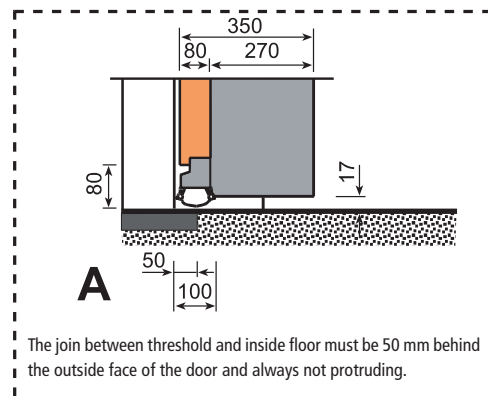
finished floor level

## Pedestrian door



Height between floor and pedestrian door low part = 83 mm

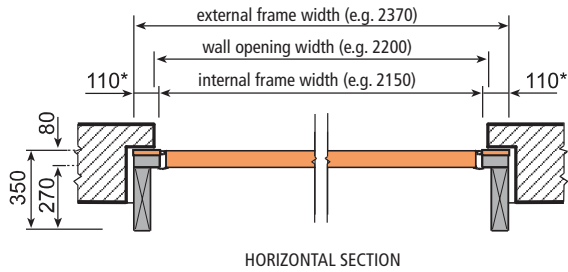
## Detail of the door threshold



**A**

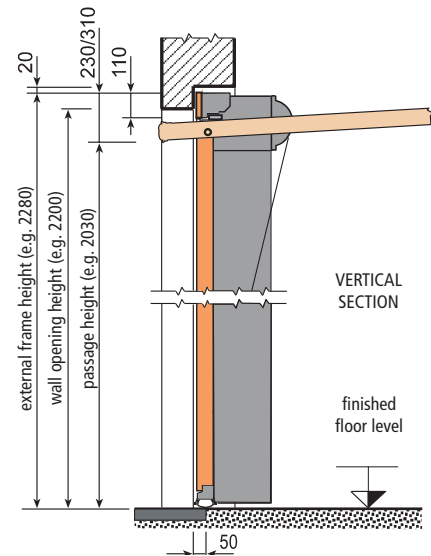
The join between threshold and inside floor must be 50 mm behind the outside face of the door and always not protruding.

### Installation behind brickwork (recessed opening)

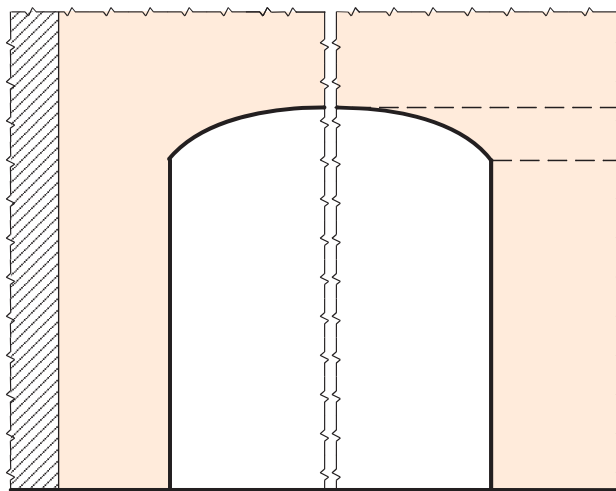


\*: becomes 135 mm in the cases shown in the size tables

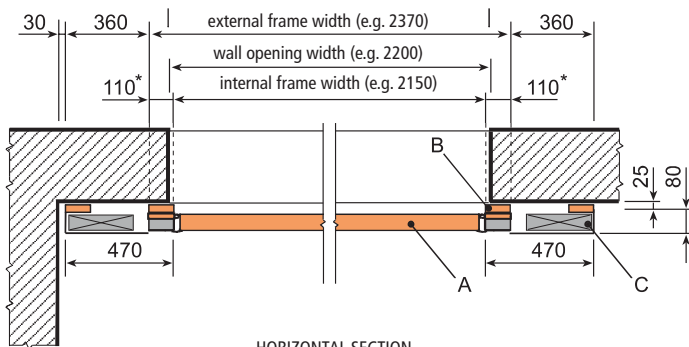
PASSAGE WIDTH = internal frame width - 50 mm



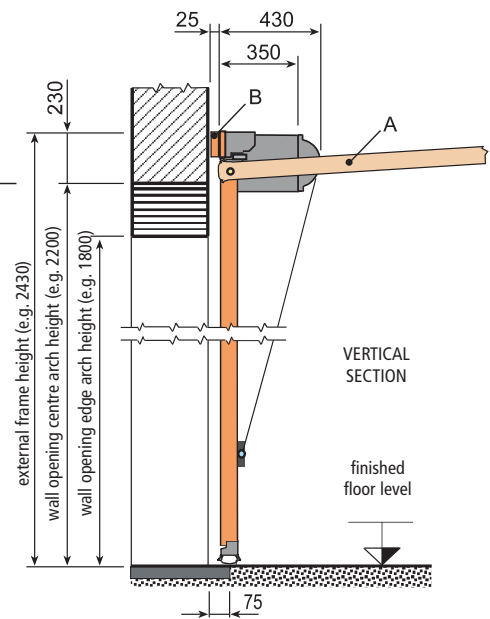
### Installation behind brickwork in arched wall opening



INTERNAL PROSPECT



HORIZONTAL SECTION



- A: door leaf with non protruding mechanism
- B: wooden safety boards (25 mm)
- C: counterweights turned through 90°

\*: becomes 135 mm in the cases shown in the size tables

PASSAGE WIDTH = internal frame width - 50 mm