

ATTENTION: the sizes are calculated on the components sizes (frame and counter frame) but, for the installation it is necessary to allow extra 5 mm per side.

Series PERFECTA		W			H
Ordering size		800	850	900	2200
Maximum dimension	MI	932	982	1032	2263
Counter frame passage	LC	806	856	906	2203
Net passage	LN	780	830	880	2190
Wall opening dimension	DF	922	972	1022	2258

Series PERFECTA - Hidden hinge		W			H
Ordering size		800	850	900	2200
Maximum dimension	MI	996	1046	1096	2298
Counter frame passage	LC	806	856	906	2203
Net passage	LN	780	830	880	2190
Wall opening dimension	DF	996	1046	1096	2298

Besides the above dimensions in chart, **widths from 750 to 1000 mm and heights from 1870 to 2500 mm**, in 10 mm increments, are feasible.

Besides the above dimensions in chart, **widths from 750 to 1000 mm and heights from 1870 to 2500 mm**, in 10 mm increments, are feasible.

Series OPTIMA		W			H
Ordering size		800	850	900	2100
Maximum dimension	MI	932	982	1032	2163
Counter frame passage	LC	806	856	906	2103
Net passage	LN	780	830	880	2090
Wall opening dimension	DF	922	972	1022	2158

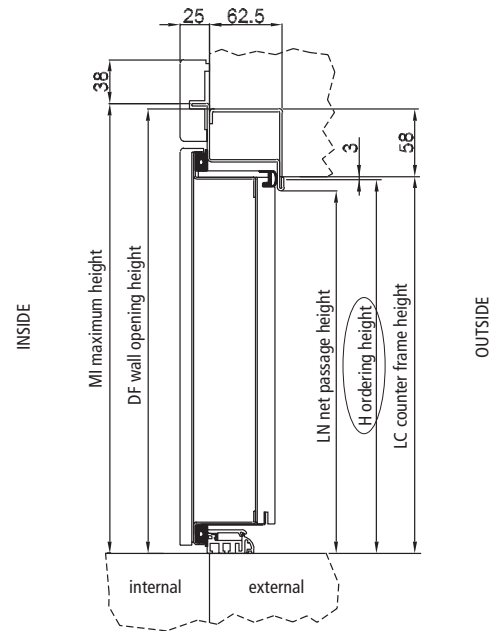
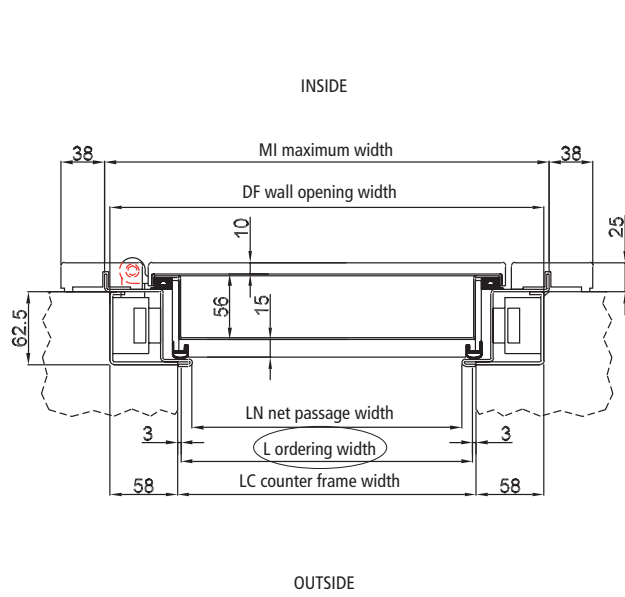
Series VALIDA		W			H
Ordering size		800	850	900	2100
Maximum dimension	MI	932	982	1032	2163
Counter frame passage	LC	806	856	906	2103
Net passage	LN	780	830	880	2090
Wall opening dimension	DF	922	972	1022	2158

Besides the above dimensions in chart, **widths from 750 to 1100 mm and heights from 1870 to 2500 mm**, in 10 mm increments, are feasible.

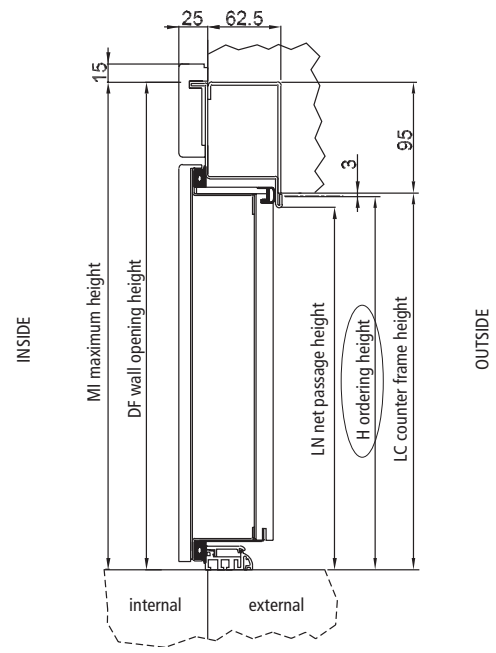
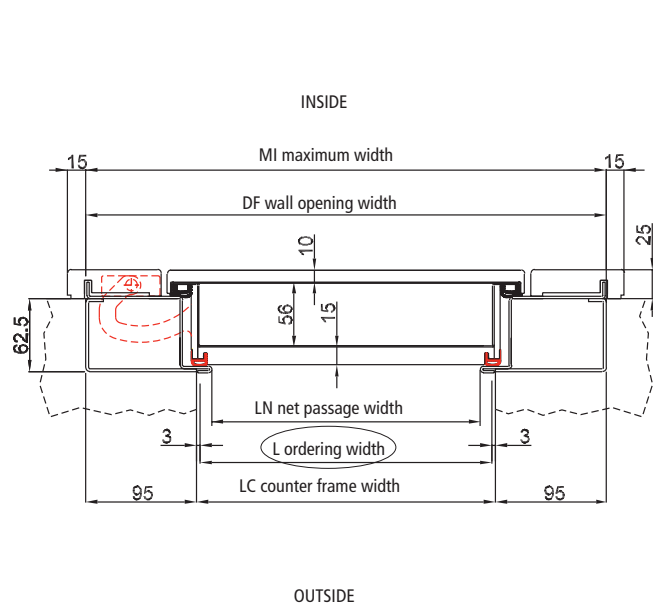
Only the above standard dimensions are available

# SIZES - Entrance door

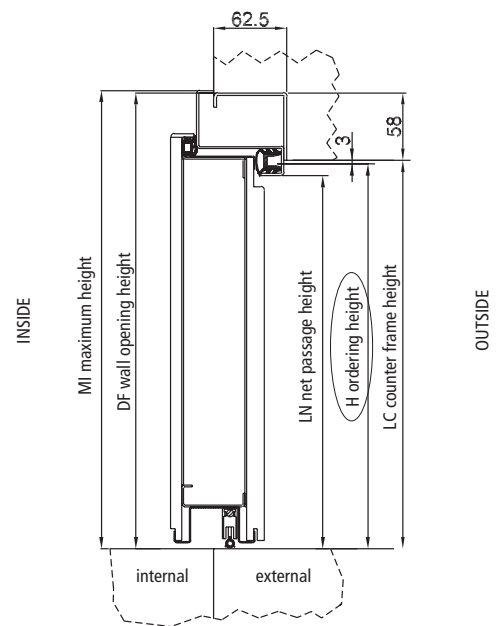
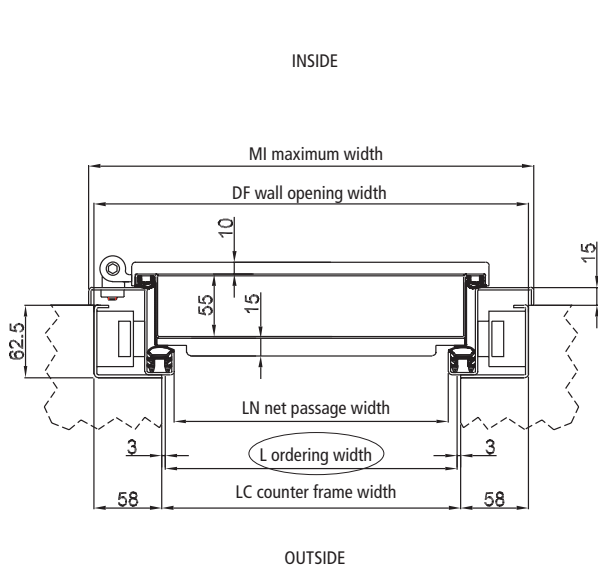
## Series Perfecta



## Series Perfecta - Hidden hinge



Series Optima



Series Valida

