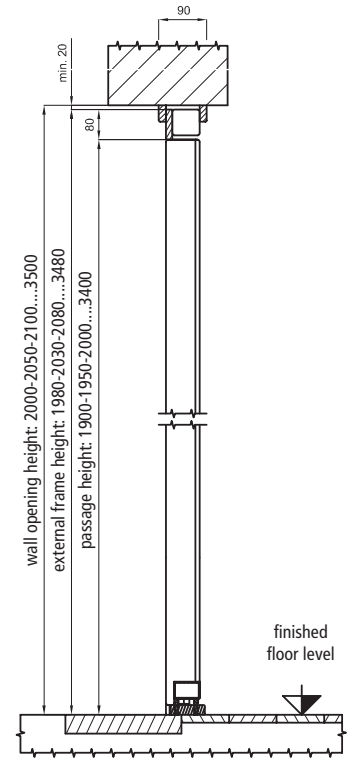
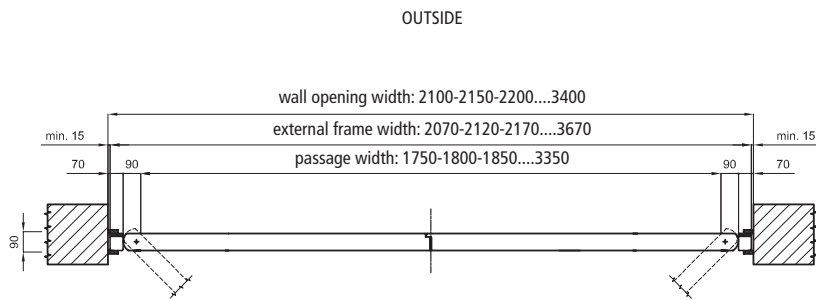
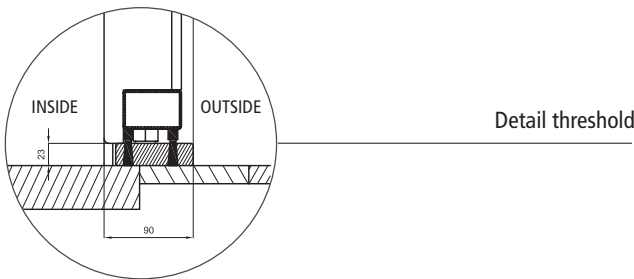
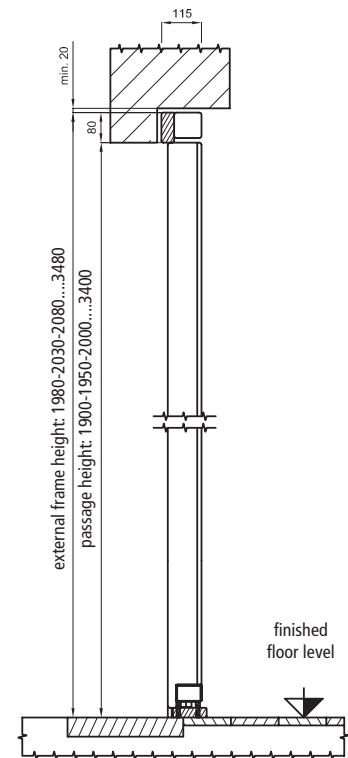
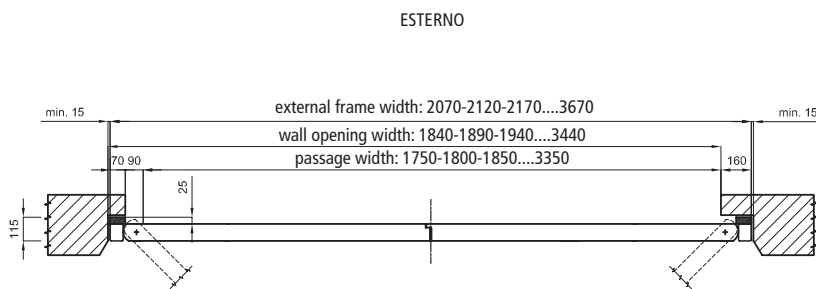


Installation between brickwork (example with door opening towards inside)



Installation behind brickwork (example with door opening towards inside)



Detail threshold

Table heights pedestrian door (mm)

| DOOR H (mm) | 2380 | 2430 | 2480 | 2530 | 2580 | 2630 | 2680 | 2730 | 2780 | 2830 | 2880 | 2930 | 2980 | 3030 | 3080 | 3130 | 3180 | 3230 | 3280 | 3330 | 3380 | 3430 | 3480 | |
|------------------------------------|---------------|------|------|------|------|------|------|------|------|------|------|------|------|------|------|------|------|------|------|------|------|------|------|------|
| H opening pedestrian door | FOR, VIP, DOC | 1889 | 1939 | 1989 | 2039 | 2089 | 2139 | 2189 | 2239 | 2089 | 2139 | 2189 | 2239 | 2089 | 2139 | 2166 | 2239 | 2089 | 2116 | 2189 | 2239 | 2089 | 2141 | 2189 |
| | OLD 250 mm | / | / | / | / | 1994 | 2044 | 2094 | 2144 | 2194 | 1994 | 2044 | 2094 | 2144 | 2194 | 1994 | 2044 | 2094 | 2144 | 2194 | 1994 | 2044 | 2094 | 2144 |
| K = H opening pedestrian door + 72 | FOR, VIP, DOC | / | / | / | / | 2161 | 2211 | 2261 | 2311 | 2161 | 2211 | 2261 | 2311 | 2161 | 2211 | 2238 | 2311 | 2161 | 2188 | 2261 | 2311 | 2161 | 2213 | 2261 |
| | OLD 250 mm | / | / | / | / | 2066 | 2116 | 2166 | 2216 | 2266 | 2066 | 2116 | 2166 | 2216 | 2266 | 2066 | 2116 | 2166 | 2216 | 2266 | 2066 | 2116 | 2166 | 2216 |

Table application motor type L or type S

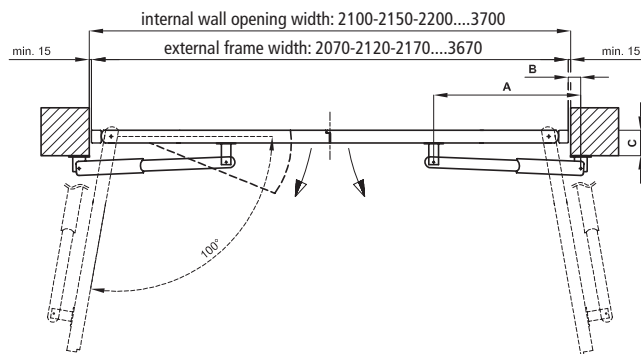
| DOOR NOMINAL WIDTH (mm) | | 2070 | 2120 | 2170 | 2220 | 2270 | 2320 | 2370 | 2420 | 2470 | 2520 | 2570 | 2620 | 2670 | 2720 | 2770 | 2820 | 2870 | 2920 | 2970 | 3020 | 3070 | 3120 | 3170 | 3220 | 3270 | 3320 | 3370 | 3420 | 3470 | 3520 | 3570 | 3620 | 3670 |
|-------------------------|-------------------------|------|------|------|------|------|------|------|------|------|------|------|------|------|------|------|------|------|------|------|------|------|------|------|------|------|------|------|------|------|------|------|------|------|
| WITH PEDESTRIAN DOOR | DOC, VIP | L | L | L | L | L | L | S | S | S | S | S | S | S | S | S | S | S | S | S | S | S | S | S | S | S | S | S | S | S | S | S | S | S |
| | FOR, OLD, SPI | L | L | L | L | L | L | S | S | S | S | S | S | S | S | S | S | S | S | S | S | S | S | S | S | S | S | S | S | S | S | S | S | S |
| | BIG, EGO | L | L | L | L | L | L | S | S | S | S | S | S | S | S | S | S | S | S | S | S | S | L | L | L | L | L | L | L | L | L | L | L | L |
| WITHOUT PEDESTRIAN DOOR | BIG, EGO, FOR, OLD, SPI | S | S | S | S | S | S | S | S | S | S | S | S | S | L | L | L | L | L | L | L | L | L | L | L | L | L | L | L | L | L | L | L | |
| | DOC, VIP | S | S | S | S | S | S | S | S | S | S | S | S | S | S | S | S | S | S | S | S | S | S | S | S | S | S | S | S | L | L | L | L | L |

Table motor sizes type L or type S

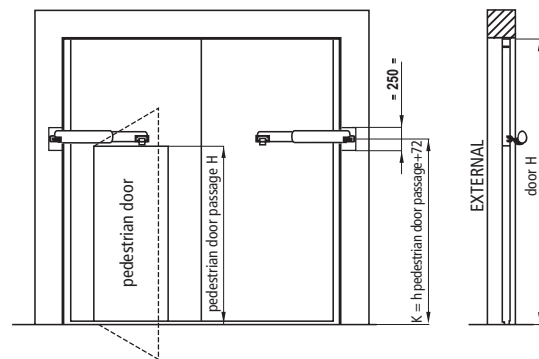
| TYPE L | A | B | C | D | E | K |
|--------|-----|---|-----|-----|-----|----------------|
| | 720 | 8 | 104 | 129 | 900 | Table page 128 |

| TYPE S | A | B | C | D | E | K |
|--------|-----|----|-----|-----|------|----------------|
| | 920 | 78 | 159 | 184 | 1100 | Table page 128 |

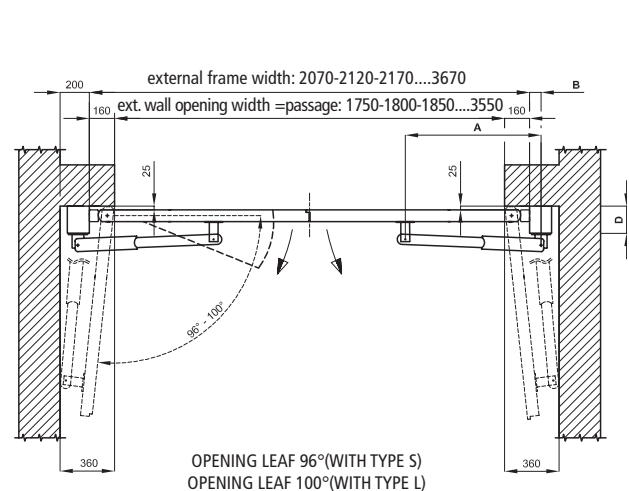
Installation between brickwork (horizontal section)



For all installation types (vertical section)



Installation behind brickwork with thickening boards (horizontal section)



Installation between brickwork with recess for motorisation (horizontal section)

